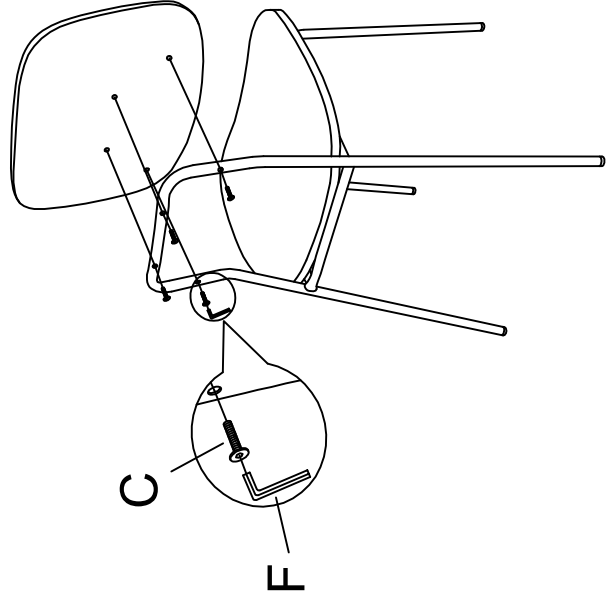
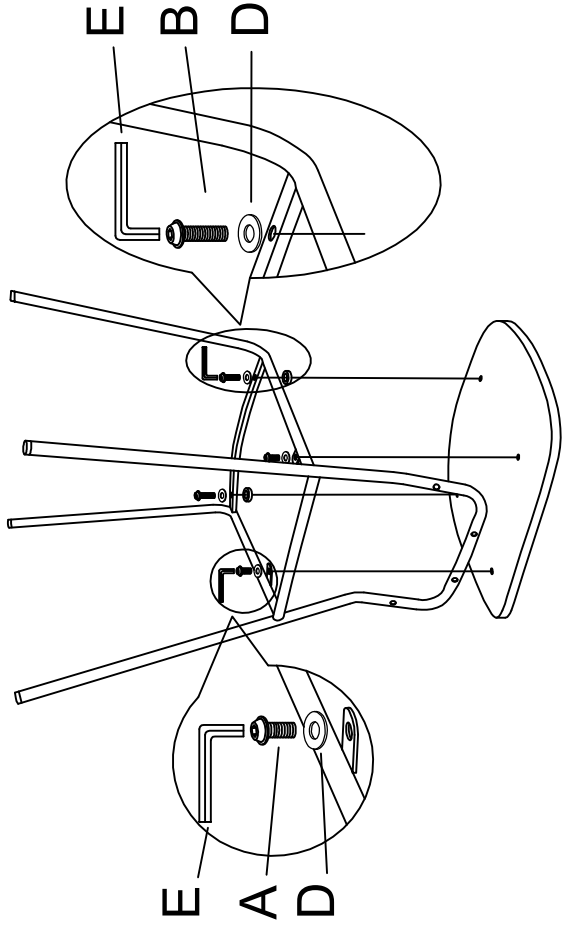
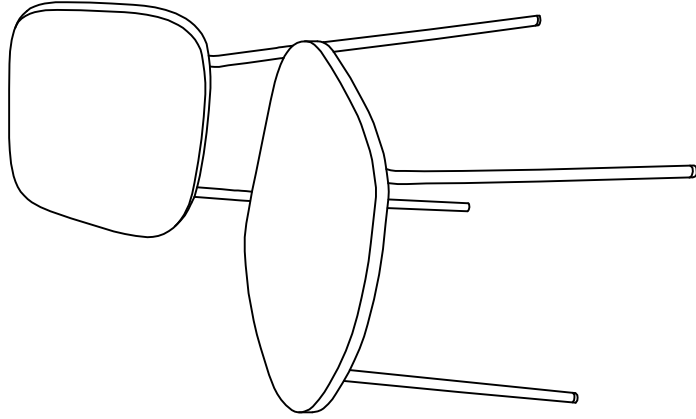


Step:1



A		x2
B		x2
C		x4
D		x4

Finish



0138059

	x1
	0:15
	x1
	x1