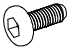

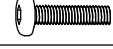

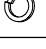


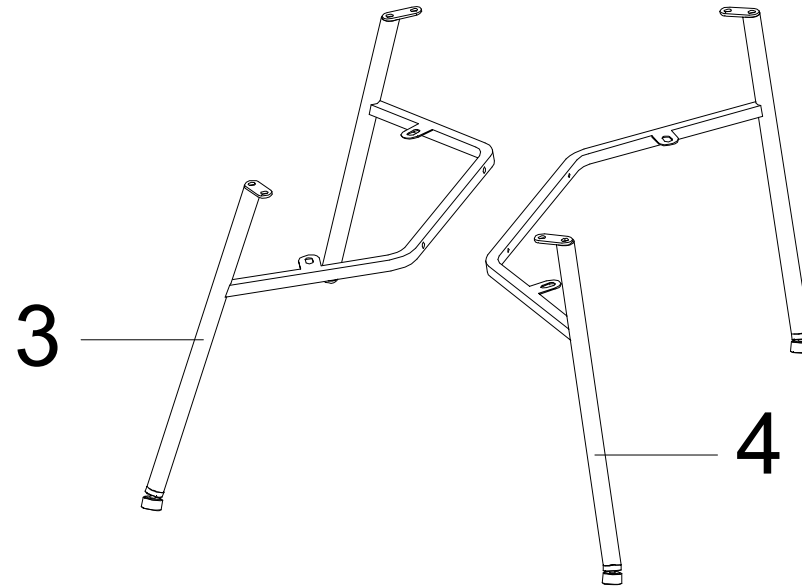
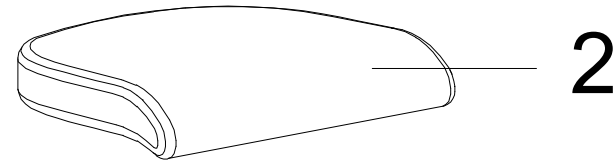
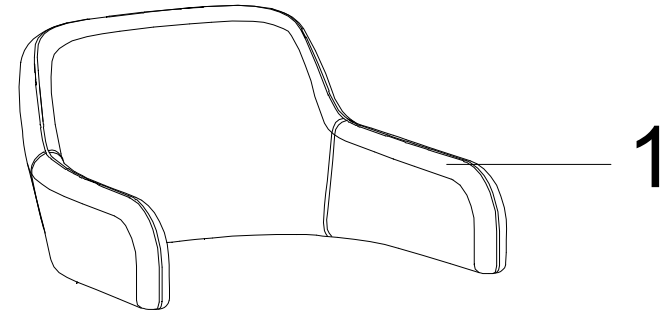
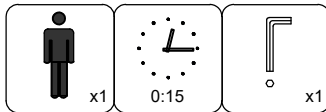
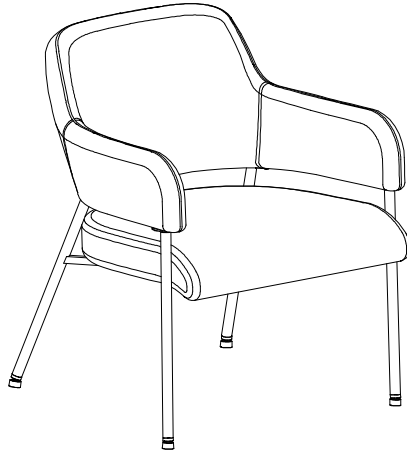


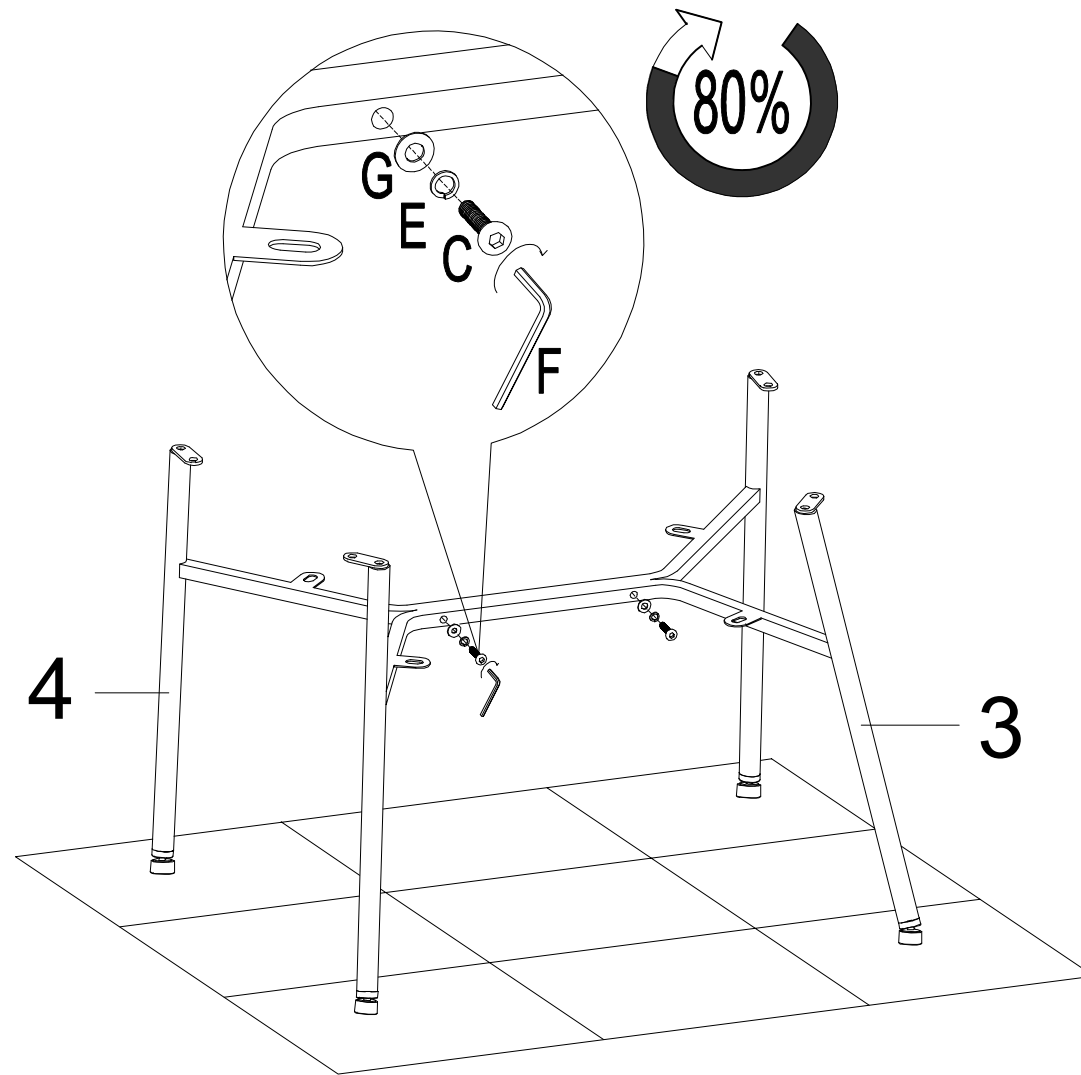
A		x4
B		x4
C		x2
D		x4
E		x2
F		x1
G		x2

ASSEMBLY INSTRUCTIONS

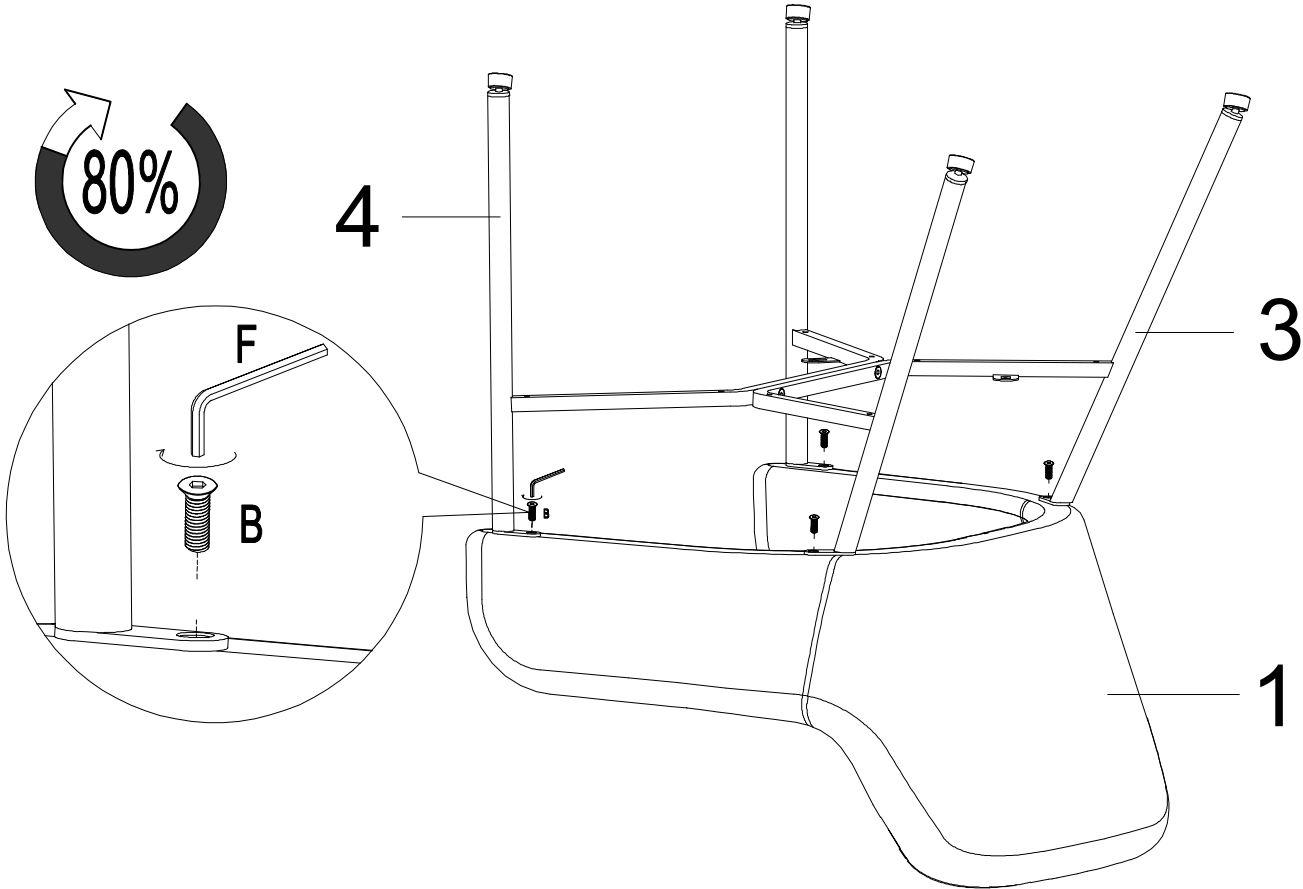
DINING CHAIR MODEL#: FYC200



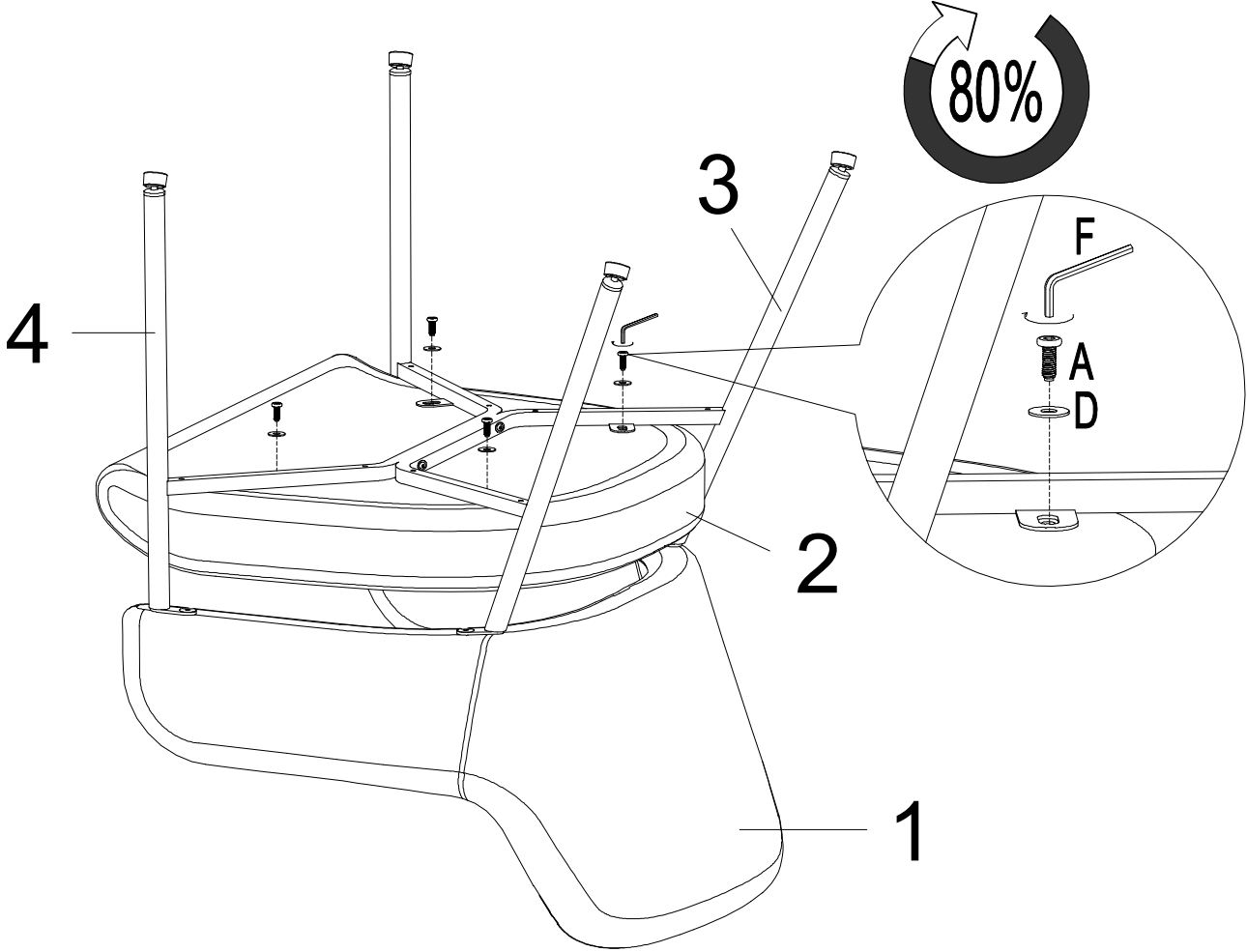
Step: 1



Step: 2



Step: 3



Step:4

