

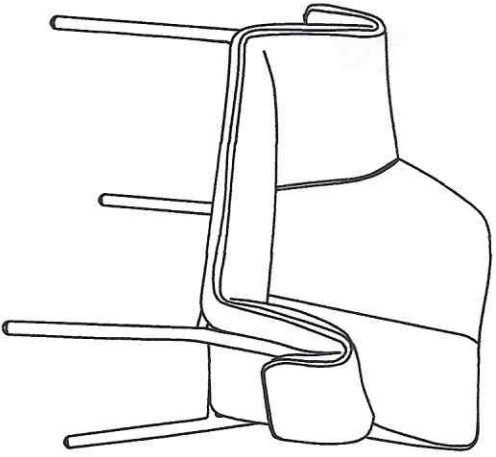




A		(M6x20)	x4
B		(Ø17x7)	x4

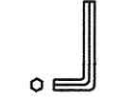
Finish



0179471

  
x1

  
0:10



Step: 1

