

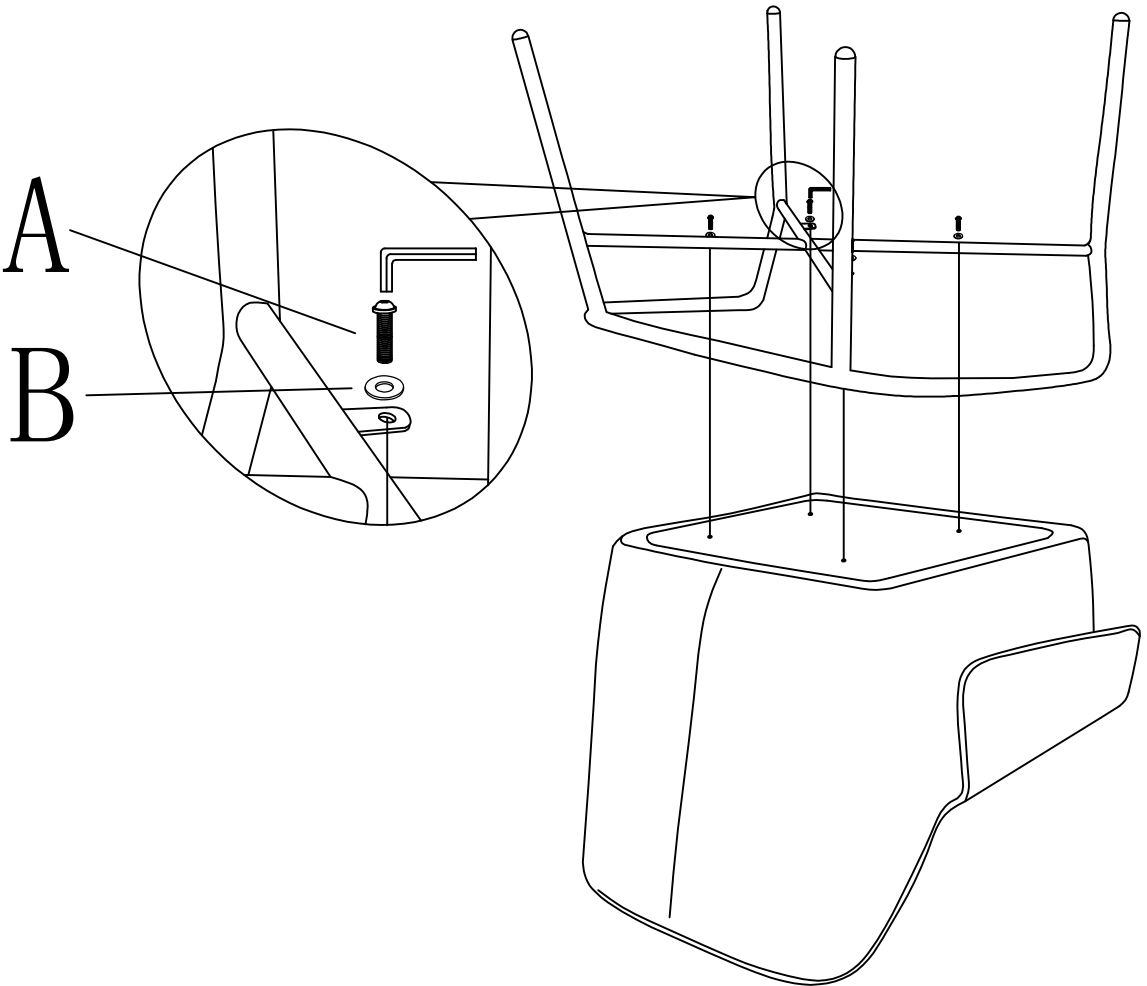
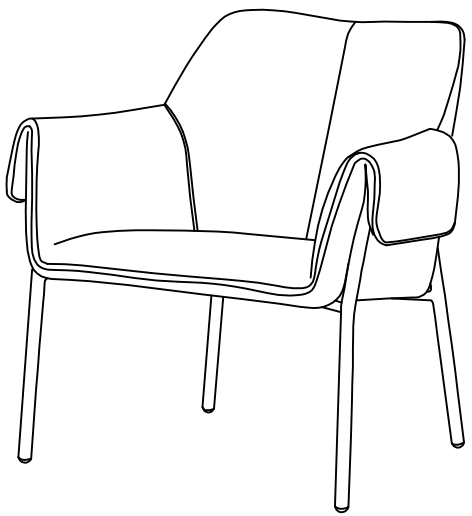


A	 (M6x20)	x4
B	 (Ø17x7)	x4

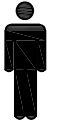
Step:1




Finish



0179471

  
 x1

  
 0:10

