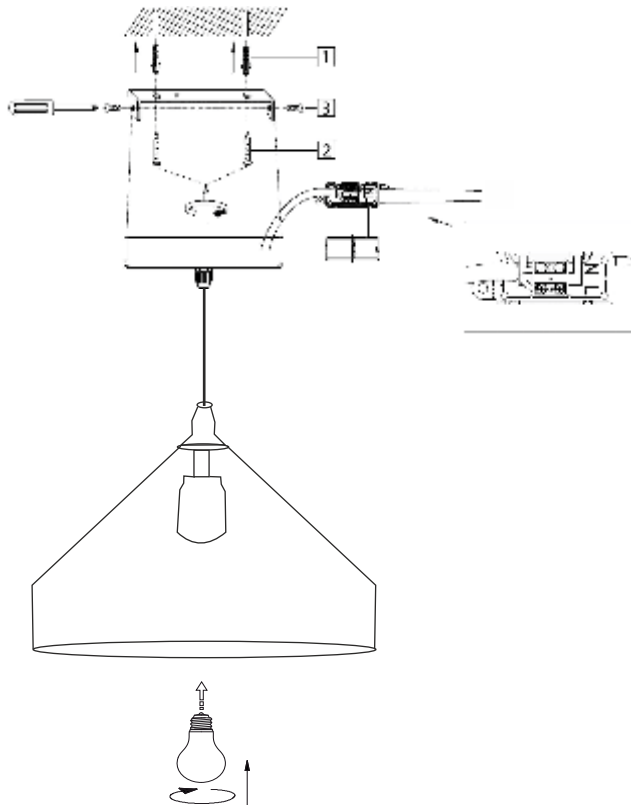


ASSEMBLY & SAFETY INSTRUCTIONS

Item Name : Pendant Lamp
Description : Fixed Luminaire
Rated Voltage : 220-240 ~ 50Hz
Max Wattage : 40 W
Socket : E27



To Install :

- 1 & 2 - Mount the plate on ceiling provided by manufacturer.
- 3- Hang the appliance with the help of ceiling rose by screwing in the plate.

⚠ Warning :

- Before obtaining access to terminals, all supply circuits must be disconnected.
- The appliance must be installed out of arm's reach.
- This appliance is not intended for use by young children or infirm persons unless they have been adequately supervised by a responsible person to ensure that they can use the appliance safely. Young children should be supervised to ensure that they do not play with the appliance.
- The bulb, lamp holder or shade may get hot when the lamp is operating, do not touch them to avoid a hazard.
- If the external flexible cable or cord of this luminaire is damaged it shall be exclusively replaced by manufacturer or his service agent or a similar qualified person.
- Fire risk exists if the lamp is covered by or positioned close to curtains or other combustible material.

Care Instructions :

- Wipe clean with a soft, dry cloth or static duster. Always switched off before cleaning.
- Always avoid the use of harsh chemicals or abrasive cleaners as they may cause damage to the fixture's finish.