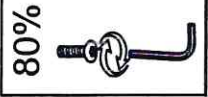
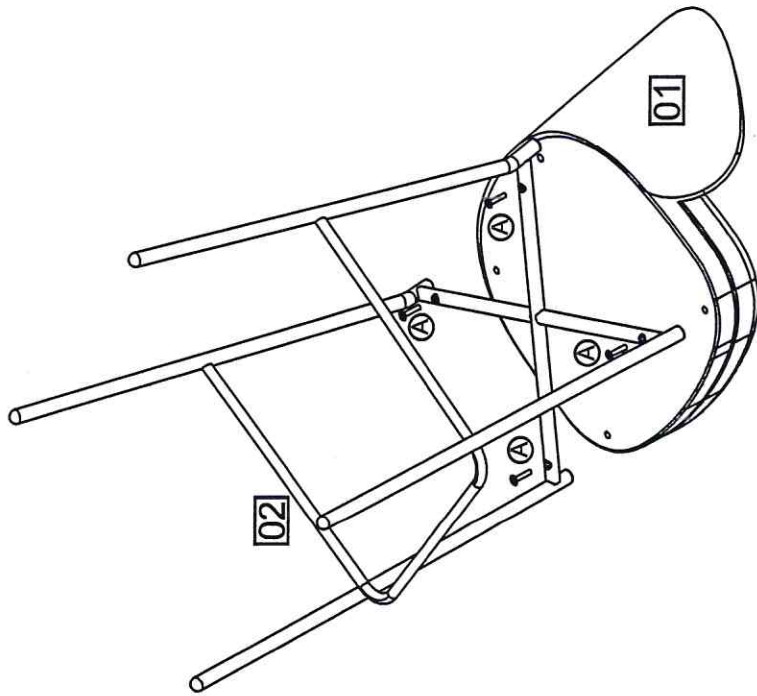


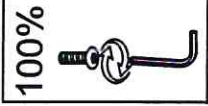
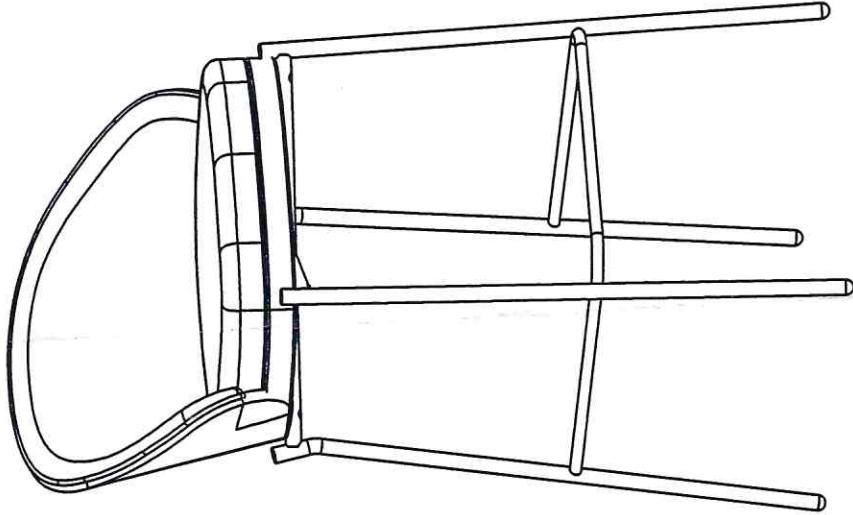
COMPONENT PARTS


FITTINGS

Step1



Step2



Ⓐ  x4
(M6x30mm)

COMPONENT CHECKLIST

PART	No. Qty.
Seat	01 
Frame	02 

TOOLS REQUIRED

